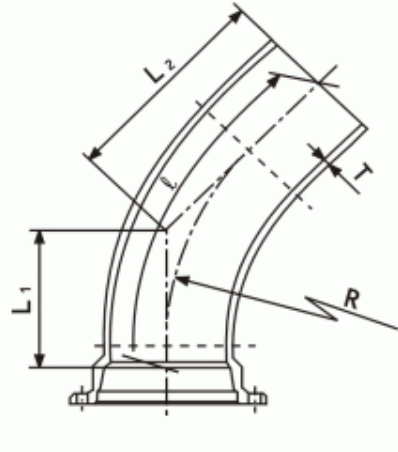
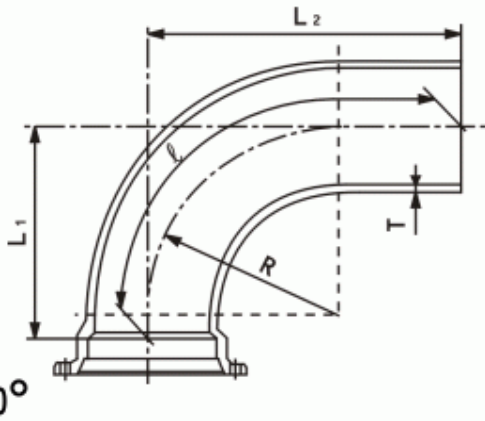
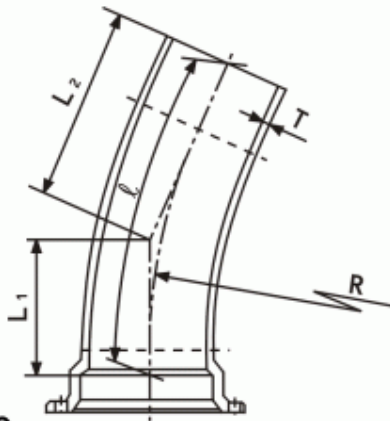


**Type A Bend**

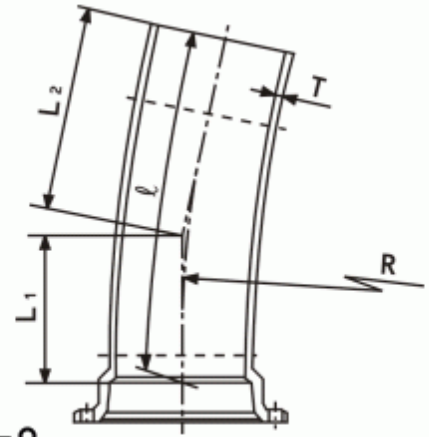


Unit: mm

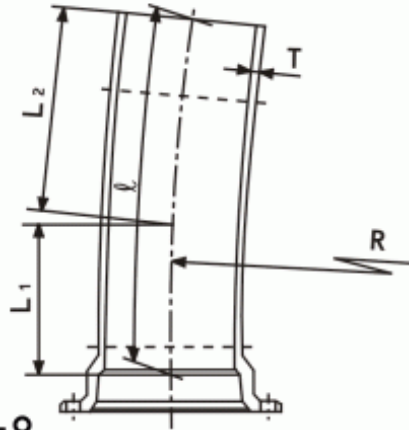
Nominal size	Thickness	90°					45°				
		Dimensions			Length	Weight (kg)	Dimensions			Length	Weight (kg)
D	T	R	L <sub>1</sub>	L <sub>2</sub>	l		R	L <sub>1</sub>	L <sub>2</sub>	l	
75	8.5	250	292	400	584	14.2	400	207	316	506	12.9
100	8.5	250	292	400	584	18.4	400	207	316	506	16.8
150	9.0	300	342	500	713	31.6	500	249	407	634	29.1
200	11.0	400	443	600	872	56.4	600	292	449	715	48.3
250	12.0	400	445	650	923	78.8	600	294	449	716	64.3
300	12.5	550	597	800	1161	118.0	700	337	490	797	86.2
350	13.0	550	598	800	1162	147.0	800	380	531	877	117.0



■ 22.5°



■ 11.25°



■ 5.625°

Unit: mm

Nominal size	Thickness	22 <sup>1</sup> / <sub>2</sub> °					11 <sup>1</sup> / <sub>4</sub> °					5 <sup>5</sup> / <sub>8</sub> °				
		Dimensions			Length	Weight	Dimensions			Length	Weight	Dimensions			Length	Weight
D	T	R	L <sub>1</sub>	L <sub>2</sub>	l	(kg)	R	L <sub>1</sub>	L <sub>2</sub>	l	(kg)	R	L <sub>1</sub>	L <sub>2</sub>	l	(kg)
75	8.5	800	201	309	506	12.9	3000	337	446	781	17.4	-	-	-	-	-
100	8.5	800	201	309	506	16.8	3000	337	446	781	22.6	-	-	-	-	-
150	9.0	1000	240	349	584	27.5	3000	337	446	781	33.8	-	-	-	-	-
200	11.0	1200	282	389	665	45.7	4000	437	544	979	62.0	-	-	-	-	-
250	12.0	1200	284	389	666	60.8	4000	439	544	980	82.8	-	-	-	-	-
300	12.5	1400	325	429	747	81.8	4000	441	544	982	102.0	10000	538	641	1178	120
350	13.0	1600	367	468	827	111.0	5000	541	643	1180	149.0	10000	540	641	1180	149